

PARTS MANUAL

**E80XN, E100XN, E100XNS, E120XN
(A099)**

CUSTOMER EDITION

HYSTER

SECTIONS

1	FRAME
2	ELECTRICAL SYSTEM
3	DRIVE UNIT
4	STEERING SYSTEM
5	BRAKE/ACCELERATOR SYSTEM
6	HYDRAULIC SYSTEM
7	MAST-TWO STAGE LIMITED FREE-LIFT
8	MAST-THREE STAGE FULL FREE-LIFT
9	MAST-TWO STAGE FULL FREE-LIFT
10	OPTIONS
11	FIELD CONVERSION KITS
12	NUMERICAL INDEX

This Parts Manual is divided into 12 major sections which are listed above. Quick reference to these sections can be made by placing the right thumb on the tab of the desired section, bending the book back and thumbing the pages to the corresponding tab.

**Thanks very much for your reading,
Want to get more information,
Please click here, Then get the complete
manual**

JustClickHere 

NOTE:

**If there is no response to click on the link above,
please download the PDF document first, and then
click on it.**

**Have any questions please write to me:
admin@servicemanualperfect.com**

TABLE OF CONTENTS

DESCRIPTION	PAGE
A	
ACCELERATOR PEDAL ASSEMBLY (MONOTROL)	5-9
ACCELERATOR PEDAL ASSEMBLY (STANDARD)	5-8
ACCUMULATOR	10-4
ADD ON OPTION KITS	11-2
ADD ON TELEMETRY KITS	11-3
ARMREST SLIDER ASSEMBLY	1-34
AUXILIARY KEYSWITCH	10-2
AUXILIARY TUBE EXTENSIONS	
THREE STAGE FULL FREE-LIFT - WITHOUT QUICK DISCONNECT FITTINGS	10-52
THREE STAGE FULL FREE-LIFT - MANUAL HYDRAULICS WITH QUICK DISCONNECT FITTINGS	10-54
THREE STAGE FULL FREE-LIFT - E-HYDRAULICS WITH QUICK DISCONNECT FITTINGS	10-56
TWO STAGE FULL FREE-LIFT - MANUAL HYDRAULICS WITH QUICK DISCONNECT FITTINGS	10-62
TWO STAGE FULL FREE-LIFT - WITHOUT QUICK DISCONNECT FITTINGS	10-59
TWO STAGE FULL FREE-LIFT - E-HYDRAULICS WITH QUICK DISCONNECT FITTINGS	10-64
TWO STAGE LIMITED FREE LIFT - WITHOUT QUICK DISCONNECT FITTINGS	10-44
TWO STAGE LIMITED FREE LIFT - MANUAL HYDRAULICS WITH QUICK DISCONNECT FITTINGS	10-46
TWO STAGE LIMITED FREE LIFT - E-HYDRAULICS WITH QUICK DISCONNECT FITTINGS	10-48
B	
BACK-UP ALARM	10-6
BATTERY COMPARTMENT AND COVERS	
HORIZONTAL BATTERY REMOVAL (→ 4/2013)	1-36
HORIZONTAL BATTERY REMOVAL (4/2013 →)	1-40
VERTICAL BATTERY REMOVAL - E80-120XN (→ 4/2013)	1-44
VERTICAL BATTERY REMOVAL - E100-120XN (4/2013 →)	1-46
VERTICAL BATTERY REMOVAL - E80-E100XNS WITH STANDARD OVERHEAD GUARD	1-48
VERTICAL BATTERY REMOVAL - E80-E100XNS WITH FLAT OVERHEAD GUARD (→ 4/2013)	1-50
VERTICAL BATTERY REMOVAL - E80-E100XNS WITH FLAT OVERHEAD GUARD (4/2013 →)	1-52
BATTERY CONNECTOR	
RAPID CHARGE OPTION	2-20
WITH FLAT OVERHEAD GUARD - LWB (E100-120XN) (→ 11/2014)	2-11
WITH FLAT OVERHEAD GUARD - LWB (E100-120XN) (11/2014 →)	2-14
WITH FLAT OVERHEAD GUARD - SWB (E80-100XNS) (→ 11/2014)	2-16
WITH FLAT OVERHEAD GUARD - SWB (E80-100XNS) (11/2014 →)	2-18
WITH STANDARD OVERHEAD GUARD - LWB (E100-120XN) (→ 11/2014)	2-6
WITH STANDARD OVERHEAD GUARD - LWB (E100-120XN) (11/2014 →)	2-8
WITH STANDARD OVERHEAD GUARD - SWB (E80-100XNS)	2-10
BRAKE ASSEMBLY	5-4
BRAKE SYSTEM	5-2
C	
CARRIAGE	
THREE STAGE FULL FREE-LIFT	8-38
TWO STAGE FULL FREE-LIFT	9-28
TWO STAGE LIMITED FREE-LIFT	7-18
CONTACTOR AND FUSE ASSEMBLY	2-22

TABLE OF CONTENTS (continued)

DESCRIPTION	PAGE
CONTACTOR ASSEMBLY	
UL-E	2-23
UL-EE	2-24
CONTROL PANELS AND CONTACTORS	2-21
CONTROLLER ASSEMBLY	
PUMP AND TRACTION (11/2014 →)	2-30
PUMP MOTOR (→ 11/2014)	2-26
TRACTION MOTOR (→ 11/2014)	2-28
CONVERSION KIT	
COUNTERWEIGHT	1-4
COUNTERWEIGHT COVER	
WITH RAPID CHARGE OPTION	1-5
D	
DASH AND STEERING COLUMN COVERS	
FIXED COLUMN	1-54
TELESCOPIC COLUMN	1-56
DC CONVERTER AND ATTACHING PARTS	10-14
DIFFERENTIAL ASSEMBLY	
WET BRAKE	3-13
DISPLAY	
LOW MOUNT	2-42
DISPLAY GROUP AND HARNESS	
HIGH MOUNT	2-40
DRIP SHIELD AND STATIC STRAP	1-13
DRIVE AXLE AND ATTACHING PARTS	3-2
DRIVE AXLE ASSEMBLY	
WET BRAKE - RIGHT AND LEFT HAND HUBS	3-4
WET BRAKE - BRAKES AND DIFFERENTIAL	3-8
WET BRAKE - INPUT PINION CARRIER	3-11
DRIVE TIRE AND WHEEL	
E100-120XN	3-16
E80XN-100XNS	3-15
E	
ELECTRICAL ARRANGEMENT	2-4
F	
FENDERS	1-12
FIRE EXTINGUISHER	10-10
FLOORPLATES AND STEPS	1-10
FORKS	
OPTIONAL LATCH	1-61
POLISHED FORK WITH FULL BOTTOM TAPER - CLASS III AND CLASS IV	1-60
POLISHED FULL BOTTOM TAPER OPTIONAL - CLASS III AND CLASS IV	1-64
STANDARD TAPER CLASS III AND CLASS IV	1-58
FORKS WITH LEVER	
STANDARD TAPER OPTIONAL - CLASS III AND CLASS IV	1-62
FREE-LIFT	
THREE STAGE FULL FREE-LIFT (→ 10/2013)	8-26

TABLE OF CONTENTS (continued)

DESCRIPTION	PAGE
THREE STAGE FULL FREE-LIFT (10/2013 →)	8-30
FREE-LIFT CYLINDER	
THREE STAGE FULL FREE LIFT	8-34
TWO STAGE FULL FREE-LIFT	9-18
FULL SUSPENSION SEAT	
MANUAL AND ELECTRO-HYDRAULIC — SWIVEL AND NON SWIVEL - SHEET 1 OF 4	1-26
RECLINER AND DAMPER KITS - SHEET 2 OF 4	1-28
SERVICE KITS FOR NON SWIVEL AND SWIVEL - SHEET 3 OF 4	1-30
H	
HEADER HOSE	
THREE STAGE FULL FREE-LIFT	8-40
TWO STAGE FULL FREE-LIFT	9-22
TWO STAGE LIMITED FREE-LIFT	7-20
HOOD	
WITH FLAT OVERHEAD GUARD - AND SHORT WHEEL BASE (E80-100XNS)	1-18
WITH FLAT OVERHEAD GUARD - AND LONG WHEEL BASE (E100-120XN)	1-20
WITH STANDARD OVERHEAD GUARD - AND SHORT WHEEL BASE (E80-100XNS)	1-14
WITH STANDARD OVERHEAD GUARD - AND LONG WHEEL BASE (E100-120XN)	1-16
HYDRAULIC MOTOR ASSEMBLY	
WITH 29 CC PUMP (11/2014 →)	6-18
HYDRAULIC CONTROL VALVE	
INLET SECTION - MANUAL HYDRAULIC	6-32
INLET SECTION - ELECTRO-HYDRAULIC	6-40
LIFT, TILT, AND AUXILIARY - MANUAL HYDRAULIC	6-30
LIFT, TILT, AND AUXILIARY - ELECTRO-HYDRAULIC	6-38
HYDRAULIC CONTROL VALVE AND FITTINGS	
ELECTRO-HYDRAULIC - THREE AND FOUR FUNCTION	6-34
MANUAL HYDRAULIC - THREE AND FOUR FUNCTION	6-25
HYDRAULIC CONTROL VALVE ASSEMBLY	
ELECTRO-HYDRAULIC - THREE AND FOUR FUNCTION	6-36
MANUAL HYDRAULIC - THREE AND FOUR FUNCTION	6-27
HYDRAULIC HOSES	
STEERING	6-8
HYDRAULIC MOTOR ASSEMBLY	
→ 11/2014	6-16
WITH 33 CC PUMP (11/2014 →)	6-20
HYDRAULIC PUMP	
29 CC (11/2014 →)	6-12
33 CC	6-14
HYDRAULIC PUMP AND MOTOR MOUNTING	
WET SPLINE DRIVE 29 CC (11/2014 →)	6-10
WET SPLINE DRIVE 33 CC	6-11
HYDRAULIC SUPPLY AND RETURN	
PAGE 1 OF 2	6-2
PAGE 2 OF 2	6-4
HYDRAULIC TANK AND ATTACHING PARTS	6-6

TABLE OF CONTENTS (continued)

DESCRIPTION	PAGE
I	
IMPACT SENSOR	10-12
INNER MAST	
THREE STAGE FULL FREE-LIFT	8-14
TWO STAGE LIMITED FREE-LIFT	7-4
INNER MAST AND FREE-LIFT	
TWO STAGE FULL FREE-LIFT (→ 10/2013)	9-6
TWO STAGE FULL FREE-LIFT (10/2013 →)	9-10
INTEGRAL SIDE-SHIFT ASSEMBLY	
THREE STAGE FULL FREE-LIFT - E80XN	10-32
TWO AND THREE STAGE FULL FREE-LIFT - E100-120XN/E100XNS	10-36
TWO STAGE FULL FREE-LIFT - E80XN	10-26
TWO STAGE LIMITED FREE LIFT CLASS III - ORFS FITTINGS	10-16
TWO STAGE LIMITED FREE LIFT CLASS IV - ORFS FITTINGS	10-18
INTEGRAL SIDE-SHIFT CARRIAGE	
1067 MM (42 IN.) CLASS III - THREE STAGE FULL FREE-LIFT	10-40
THREE STAGE FULL FREE-LIFT - 1219 MM (48 IN.) CLASS III	10-34
THREE STAGE FULL FREE-LIFT - 1219 MM (48 IN.) CLASS IV	10-42
TWO STAGE FULL FREE-LIFT - 1067 MM (42 IN.) CLASS III	10-28
TWO STAGE FULL FREE-LIFT - 1219 MM (48 IN.) CLASS III	10-30
TWO STAGE FULL FREE-LIFT - 1219 MM (48 IN.) CLASS IV	10-38
TWO STAGE LIMITED FREE-LIFT - 1067 MM (42 IN.) CLASS III	10-20
TWO STAGE LIMITED FREE-LIFT - 1219 MM (48 IN.) CLASS III	10-22
TWO STAGE LIMITED FREE-LIFT - 1219 MM (48 IN.) CLASS IV	10-24
INTERMEDIATE MAST	
THREE STAGE FULL FREE-LIFT	8-10
L	
LIGHTS	2-44
LOAD BACKREST EXTENSION	1-66
M	
MAIN LIFT	
THREE STAGE FULL FREE-LIFT	8-18
TWO STAGE LIMITED FREE-LIFT (→ 10/2013)	7-6
TWO STAGE LIMITED FREE-LIFT (10/2013 →)	7-10
MAIN LIFT CYLINDER	
THREE STAGE FULL FREE-LIFT	8-22
TWO STAGE FULL FREE-LIFT	9-14
TWO STAGE LIMITED FREE-LIFT - E80XN	7-14
TWO STAGE LIMITED FREE-LIFT - E100-120XN/E100XNS	7-16
MAIN WIRE HARNESS	
ELECTRIC HYDRAULIC - SHEET 1 OF 3 (11/2014 →)	2-110
ELECTRIC HYDRAULIC - SHEET 2 OF 3 (11/2014 →)	2-114
ELECTRIC HYDRAULIC - SHEET 3 OF 3 (11/2014 →)	2-118
MANUAL HYDRAULIC - SHEET 1 OF 3 (11/2014 →)	2-86
MANUAL HYDRAULIC - SHEET 2 OF 3 (11/2014 →)	2-90
MANUAL HYDRAULIC - SHEET 3 OF 3 (11/2014 →)	2-94
MANUAL CONTROL LEVERS	6-22

TABLE OF CONTENTS (continued)

DESCRIPTION	PAGE
MASTER CYLINDER	5-7
MINI-LEVER CONTROLS	
3 FUNCTION	2-48
4 FUNCTION	2-52
MIRROR	
PANORAMIC	10-9
MIRRORS	10-8
N	
NAMEPLATES AND LABELS	
HYDRAULIC CONTROL FUNCTIONS	1-72
SHEET 1 OF 2	1-68
SHEET 2 OF 2	1-70
O	
OPERATOR MODULE	1-2
OUTER MAST	
THREE STAGE FULL FREE-LIFT (→ 10/2013)	8-2
THREE STAGE FULL FREE-LIFT (10/2013 →)	8-6
TWO STAGE LIMITED FREE-LIFT	7-2
OUTER MAST AND MAIN LIFT	
TWO STAGE FULL FREE-LIFT	9-2
OVERHEAD GUARD	
FLAT	1-8
STANDARD	1-6
P	
PARKING BRAKE VALVE	5-6
POWER CABLES	
E100-120XN (→ 11/2014)	2-36
E100-120XN (11/2014 →)	2-38
E80-100XNS (→ 11/2014)	2-32
E80-100XNS (11/2014 →)	2-34
R	
REAR DRIVE HANDLE	10-11
S	
SEAT ATTACHING PARTS	
NOT INCLUDED WITH SEAT - SHEET 4 OF 4	1-32
SEATS	
NON SUSPENSION - WITH HIP RESTRAINTS	1-22
NON SUSPENSION - LOW PROFILE WITH HIP RESTRAINTS	1-24
STEER AXLE	
WITHOUT SENSOR	4-2
STEER AXLE CYLINDER	4-6
STEER PUMP ASSEMBLY	
→ 11/2014	4-16
11/2014 →	4-18
STEER TIRE AND WHEEL	4-8

TABLE OF CONTENTS (continued)

DESCRIPTION	PAGE
STEERING ACCUMULATOR	
→ 11/2014	4-20
STEERING COLUMN ASSEMBLY	
FIXED (→ 10/2013)	4-11
FIXED (10/2013 →)	4-12
TELESCOPIC (→ 10/2013)	4-14
TELESCOPIC (10/2013 →)	4-15
STEERING WHEEL AND COLUMN	
FIXED	4-9
TELESCOPIC	4-10
T	
TAIL LIGHT MOUNTING	10-7
TILT CYLINDER	6-44
TILT CYLINDER AND ATTACHING PARTS	6-42
TILT SENSOR GROUP	2-58
TRACTION MOTOR	3-14
TRACTION SPEED LIMITER	
STANDARD AND INTEGRAL SIDE-SHIFT CARRIAGES	2-56
V	
VEHICLE SYSTEM MANAGER	2-59
W	
WIRE HARNESS	
EMERGENCY DISCONNECT	2-68
FRONT SWITCH	2-69
FRONT SWITCH	10-68
INTERFACE FRONT/REAR LIGHTS	10-66
JUMPER	2-143
LEFT HAND - WITHOUT TURN SIGNALS (10/2013 →)	2-72
LIGHTS - LEFT HAND (→ 10/2013)	2-70
MAIN - MANUAL HYDRAULIC SHEET 1 OF 3 (→ 11/2014)	2-74
MAIN - MANUAL HYDRAULIC SHEET 2 OF 3 (→ 11/2014)	2-78
MAIN - MANUAL HYDRAULIC SHEET 3 OF 3 (→ 11/2014)	2-82
MAIN - ELECTRO-HYDRAULIC SHEET 1 OF 3 (→ 11/2014)	2-98
MAIN - ELECTRO-HYDRAULIC SHEET 2 OF 3 (→ 11/2014)	2-102
MAIN - ELECTRO-HYDRAULIC SHEET 3 OF 3 (→ 11/2014)	2-106
MAIN CHASSIS - W/O LIGHTS	2-130
MAIN LIGHTS CHASSIS - 48V	2-122
MAIN LIGHTS CHASSIS - 80V	2-126
MANUAL INTERLOCK	2-132
RH LIGHT WITH FREEZER DISPLAY - WITH TURN SIGNALS-HIGH MOUNT (10/2013 →)	2-66
RH LIGHT WITH FREEZER DISPLAY - WITH TURN SIGNALS-LOW MOUNT (10/2013 →)	2-67
RH LIGHT WITH STANDARD DISPLAY - WITHOUT TURN SIGNALS-HIGH MOUNT (10/2013 →)	2-61
RH LIGHT WITH STANDARD DISPLAY - WITHOUT TURN SIGNALS-LOW MOUNT (10/2013 →)	2-62
RH LIGHTS - STANDARD OPTION (→ 10/2013)	2-60
RH LIGHTS - FREEZER OPTION (→ 10/2013)	2-64
SEAT - MANUAL HYDRAULIC	2-133
SEAT - MANUAL HYDRAULIC WITH SEAT BELT SEQUENCE MODULE	2-134

TABLE OF CONTENTS (continued)

DESCRIPTION	PAGE
SEAT - E-HYDRAULIC	2-136
SEAT - E-HYDRAULIC WITH SEAT BELT SEQUENCE MODULE	2-138
STEERING COLUMN	2-140
SYNCHRONOUS STEERING	2-142

ABBREVIATIONS QUICK REFERENCE SHEET

Listed below are abbreviations used in parts manuals to denote the following expressions:

TERM	DEFINITION	TERM	DEFINITION
Amp	Amperes	FRE	Freezer Environment
AR	As Required	in.	inches
BDI	Battery Discharge Indicators	LPG	Liquefied Petroleum Gas
BWI	Brush Wear Indicator	MAP	Manifold Absolute Pressure
CE	Communicator End	mm	millimeters
CRE	Corrosive Environment	MSTS	Microprocessor Spark Timing System
D/B	Date Break	NPT	National Pipe Threads
dbA	Decibel "A" Scale	O/S	Oversize
DE	Drive End	PTO	Power Take Off
ECH	Empty Container Handler	RPM	Revolutions per Minute
ECH-3	Empty Container Handler - 3 High Stacking	S/N	Serial Number
ECH-4	Empty Container Handler - 4 High Stacking	TMM	Truck Management Module
ECH-5	Empty Container Handler - 5 High Stacking	UL Type D	Diesel-Powered Safety Rating
ECH-6	Empty Container Handler - 6 High Stacking	UL Type DS	Diesel-Powered Safety Rating
ECH-7	Empty Container Handler - 7 High Stacking	UL Type E	Battery-Powered Safety Rating
ECM	Electronic Control Module	UL Type EE	Battery-Powered Safety Rating
ECN	Engineering Change Notice	UL Type ES	Battery-Powered Safety Rating
EEPROM	Electrically Erasable Programmable Read Only Memory	UL Type G	Gasoline-Powered Safety Rating
EPA	US Environmental Protection Agency	UL Type GS	Gasoline-Powered Safety Rating
EPROM	Electrically Programmable Read Only Memory	UL Type LP	Gas-Powered Safety Rating
		UL Type LPS	LP Gas-Powered Safety Rating
		U/S	Undersize
		UL	Underwriters Laboratory
		V	Volts

HOW TO USE THE ILLUSTRATED PARTS MANUAL

This parts manual describes and illustrates assemblies, subassemblies, and detail parts needed for service replacement.

The different constructions are indicated by keys and footnotes. The callouts correspond to descriptions found on the next page.

HYSTER UNIT CODE D001 NORTH AMERICA 06/2001

TABLE OF CONTENTS

DESCRIPTION	PAGE
AIR INTAKE AND FILTER DIESEL (→ D/B 11/98).....	3-22
AIR INTAKE AND FILTER DIESEL (D/B 11/96 →).....	
AIR INTAKE AND FILTER GASOLINE AND LPG.....	
ALTERNATOR GASOLINE, LPG, AND DIESEL.....	
ALTERNATOR TYPES GS, LPS, AND DS.....	
AUXILIARY FUNCTION TUBE TWO AND THREE STAGE FULL P.....	

SECTION 13 NUMERICAL INDEX

PART NO.	PAGE NO.	ITEM NO.	PART NO.	PAGE NO.	ITEM NO.	PART NO.	PAGE NO.	ITEM NO.	PART NO.	PAGE NO.	ITEM NO.
142	3-4	19	10-13	25	11-27	29	12-31	12	16719	3-36	5
12445	3-32	19	10-17	6	11-31	25	16751	3-16	16849	3-34	21
	3-34	1	10-27	11	11-32	37	16849	3-36	16849	3-36	20
			11-11	6	8-4	45	16863	3-28	16865	3-6	18
			14	13	8-8	34	16865	4-27	16882	9-7	30
			12	6	9-7	9	16882	9-11	10-10	36	
			3	17	9-11	9		10-13	11-7	24	
			9	10	9-11	17		11-9			
			23	46	10-9	21					
			27	46	10-9	28					
			26	14	10-13	16					
			28	14	11-7	19					
			50	14	11-7	19					

SECTIONS

- 1
- 2
- 3
- 4
- 5 BRAKE/ACC
- 6
- 7 MAST-TWO STAG
- 8 MAST-THREE ST
- 9 MAST-TWO ST
- 10
- 11

TRANSMISSION HOUSING
S/N D001H-2628

KEY:
A: Diesel
B: Gasoline and LPG

ITEM	PART NO.	DESCRIPTION	QTY	
			A	B
		Transmission	1	1
	2022547	Transmission	1	1
	2023329	Case	2	2
1	2021670	Bearing Cap	4	4
2	2023418	Washer	1	1
3	296429	Bolt	2	2
4	293947	Cover	2	2
5	2021390	Colter Pin	4	4
6	1371656	O-Ring	1	1
7	2021329	Plug	4	4
8	2021915	Housing	22	22
9	2021675	Pin	39	39
10	2021336	Bolt	1	1
11	287860	Lockwasher	1	1
12	292682	Hydraulic Pump	1	1
13		Figure 5-3	8	8
14	2021345	Gasket	1	1
15	214364	Bolt	1	1
16	296418	Washer	1	1
17	2021388	Temperature Switch	1	1
18	2021389	Breather	9	9
19	2021383	Dipstick	9	9
20	292515	Bolt	2	2
21	136692	Nut	3	3
22	292527	Bolt	3	2
23	292531	Capscrew	4	4
24	292583	Lockwasher	4	4
25	293637	Bolt	1	1
26	296420	Washer	1	1
	996403	Transmission Kit (Includes Item 7)	1	1
	996405	Transmission Kit (Includes Item 14)	1	1

This Parts Manual is divided into 11 major sections which are listed above. Quick be made by placing the right thumb on the tab of the desired section, bending the pages to the corresponding tab.

©Copy Right Date HYSTER COMPANY See Service Manual for service procedures. 5-15

HOW TO FIND THE DESIRED PART NUMBER

WHEN THE PART NUMBER AND THE NEXT HIGHER ASSEMBLY IS NOT KNOWN:

1. Determine the function and application of the part required. Turn to the Sections Page. Choose the general area of reference most likely to include the part.
2. Turn to the section you chose. Use the Section Table of Contents to determine the assembly which would normally contain the part required. Then locate the part on the assembly breakdown page.

WHEN THE PART NUMBER IS NOT KNOWN AND THE NEXT HIGHER ASSEMBLY IS KNOWN:

3. Determine the assembly the required part is used on. Turn to the Table of Contents (Page i).
4. Locate the assembly the required part is used on and turn to the page indicated for that assembly. Then locate the part on the assembly breakdown page.

WHEN THE PART NUMBER IS KNOWN:

5. Use the Numerical Index (Page 12-1) to find the part number. Turn to the page listed and locate the part as indicated by the item number.

GENERAL:

The assembly breakdowns include part numbers, descriptions, quantities required, keys and footnotes to help in selecting correct parts.

6. Parts Supersession Information. Part numbers that have this history will be displayed in the parts list in the order that they were superseded (from oldest to newest). The superseded part numbers will be shown with a line through them.

Five periods in the PART NO. column (.) indicate that the part is either *Not Serviced Separately* or there is a reference to another figure. A figure reference is denoted by a pointing hand followed by a figure number in the DESCRIPTION column (☞ Figure 10)

7. Keys are used to show two or more similar assemblies, RH and LH assembly parts, etc. Select the appropriate key, "A", "B", "C", "D", or "E" and the corresponding quantity column to find the required parts. Two periods in the QTY column (..) indicate that the part is not used for that assembly.
8. Indented descriptions under the DESCRIPTION column are used to indicate assemblies and

subparts of assemblies. In the example on the previous page, *BEARING CAP* (Item 2) is a subpart of the major assembly *CASE*.

9. Quantities shown are for one assembly. The quantities of the subpart *BEARING CAP* are indicated as two and two. This means two per *CASE* assembly.
10. Serial number breaks identify the most current parts information and are shown as follows:
 - **S/N D001H2628**
Indicates last serial number affected.
 - S/N D001H2629** →
Indicates the first serial number affected.
 - S/N D001H1553** ↔ **S/N D001H3291**
Indicates a range of serial numbers affected.

ECN numbers for pending serial numbers are shown to allow for the inclusion of the most current parts information and are identified as follows:

- **S/N Pending Per ECN 63243**
Indicates a pending serial number for last unit affected.
- S/N Pending Per ECN 63243** →
Indicates a pending serial number for first unit affected.

Date breaks are used to indicate when a change occurred but a subsequent serial number break was not recorded. This is an arbitrary date usually based on the ECN release and are identified as follows:

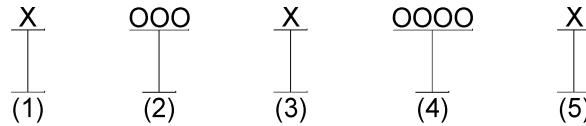
- **D/B 3/00**
Indicates that a change occurred sometime within that month for the item affected.
- D/B 3/00** →
Indicates that a change occurred sometime within that month for the item affected.
- D/B 3/00** ↔ **D/B 4/00**
Indicates a range of production dates of the item affected.

Contact your local dealer for Hyster lift trucks for serial number information for items with a ECN or a date break.

ORDERING PARTS:

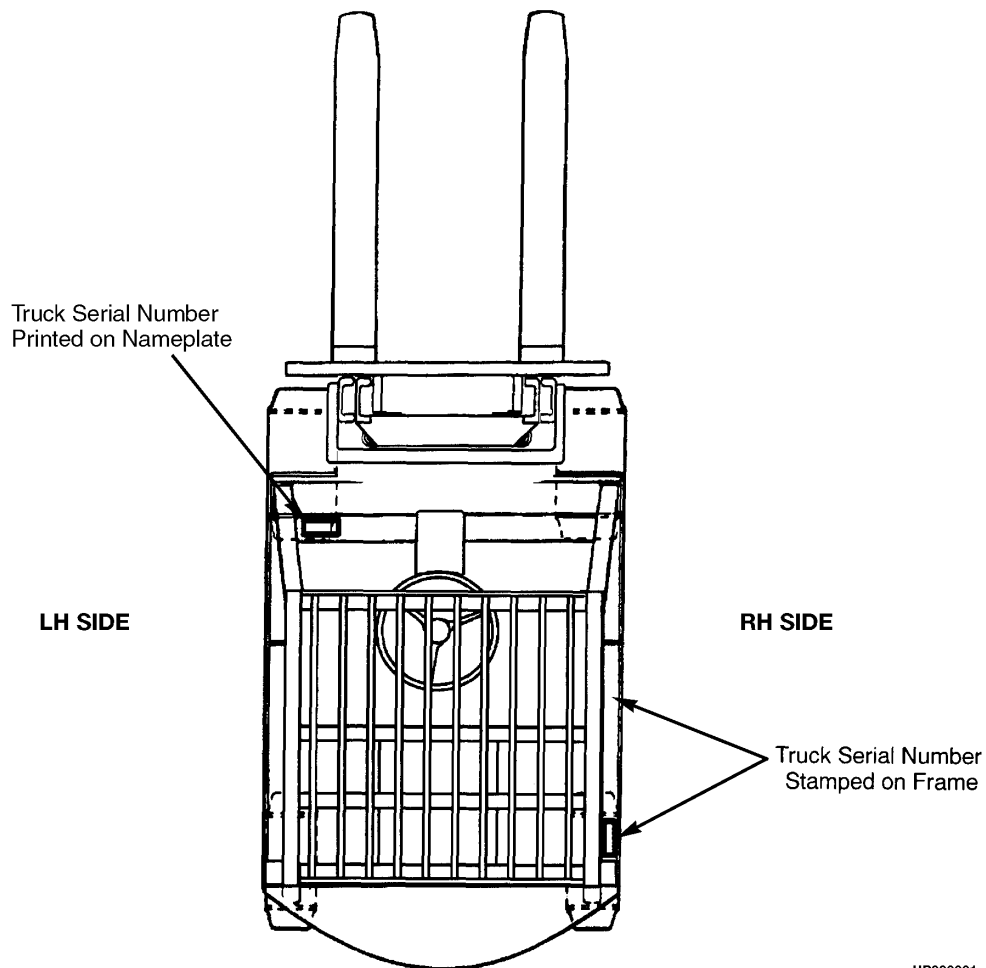
When ordering replacement parts, give the unit serial number, part number, name of part and quantity required.

For any further information on parts, service, or ordering, consult your local dealer for Hyster lift trucks.

IDENTIFICATION OF TRUCK SERIAL NUMBERS

- (1) and (2) The first letter and three numbers indicate the truck unit code.
- (3) The second letter indicates the plant of manufacture.
- (4) The four or five digit number indicates the production sequence number of the truck.
- (5) The final letter indicates the year of manufacture starting with "A" in 1957, 1980, and 2003.
The letters "I", "O", and "Q" will not be used.

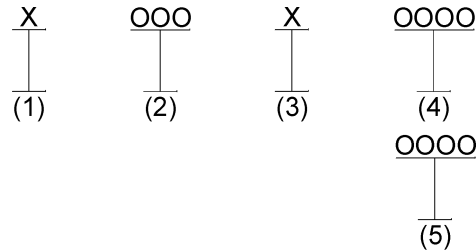
For pending serial numbers contact your local dealer for Hyster lift trucks.



HP990001

Parts referred to in this book as right or left hand parts are in accordance with the illustration above.

IDENTIFICATION OF MAST SERIAL NUMBERS



- (1) and (2) The first letter and number indicates the mast unit code.
- (3) The second letter indicates the plant of manufacture.
- (4) The four or five digit number indicates the production sequence number of the mast.
- (5) Carriage travel in millimeters stamped just below the serial number.

Mast Group identification consists of mast unit code (1) and (2) plus carriage travel (5).

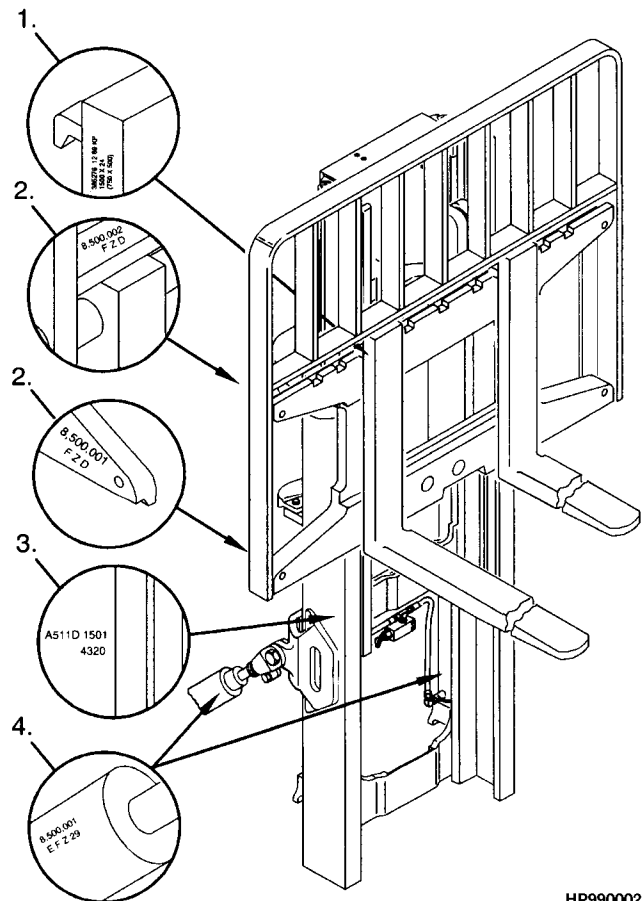
For pending production sequence numbers contact your local dealer for Hyster lift trucks.

LIFT EQUIPMENT IDENTIFICATION

1. Fork part number, capacity rating, plant code letter, and date of manufacture are stamped approximately six inches below the top of most forks.
2. The carriage group number is stamped on the right hand side of the top crossmember (pin type) or on the back of the right hand end of the bottom crossmember (hook type). A date code has two letters in line with or below the carriage group number.
3. The mast identification number has a unit code, a letter indicating the plant of manufacture, and a serial number. Underneath the production sequence number is a four digit number that indicates the carriage travel in millimeters.
4. Tilt and lift cylinder group numbers are stamped on the cylinder shell.

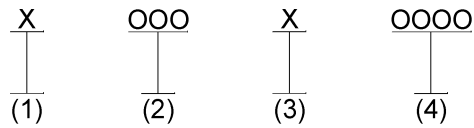
Always refer to the group, serial, or part number when ordering service parts.

Modification of masts and carriages by SPED (Special Products Engineering Department) are identified by a model prefix code beginning with the letter "S". contact your dealer for Hyster lift trucks for information on these assemblies.

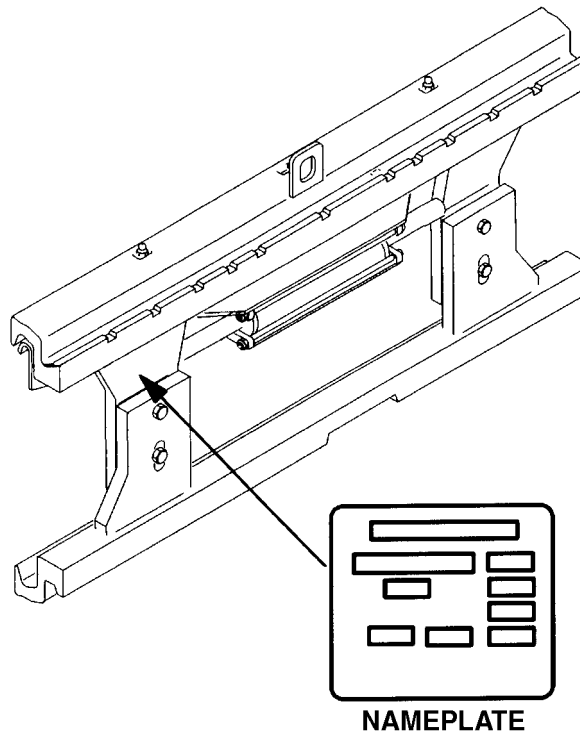


HP990002

IDENTIFICATION OF ATTACHMENT AND SIDE-SHIFT CARRIAGE SERIAL NUMBERS



- (1) and (2) The first letter and three numbers indicate the attachment unit code.
- (3) The second letter indicates the plant of manufacture.
- (4) The four or five digit number indicates the production sequence number.
- For pending production sequence numbers contact your local dealer for Hyster lift trucks.



HP990003

Side-shift carriages and attachments have nameplates. Use the serial number found on the nameplate to identify the attachment.

Always refer to the group, serial, or part number when ordering service parts.

Modifications of attachments and side-shift carriages by SPED (Special Products Engineering Department) are identified by a model prefix code beginning with the letter "S". Contact your dealer for Hyster lift trucks for information on these assemblies.

PUBLICATIONS

Every new lift truck is provided with an OPERATING MANUAL. This manual has information that the operator must know for inspection and operation of the lift truck.

SERVICE MAINTENANCE MANUALS, which provide service and overhaul procedures, and PARTS

MANUALS with complete replacement part identification, are available at a nominal fee from your Hyster dealer to assist users in effectively maintaining Hyster lift trucks in a safe, useful condition. See the list below for information on ordering specific publications for this model lift truck.

PUBLICATION	HYSTER PART NUMBER
Operating Manual.....	4051537
Service Manual (Complete).....	4051578
Parts Manual.....	4051566

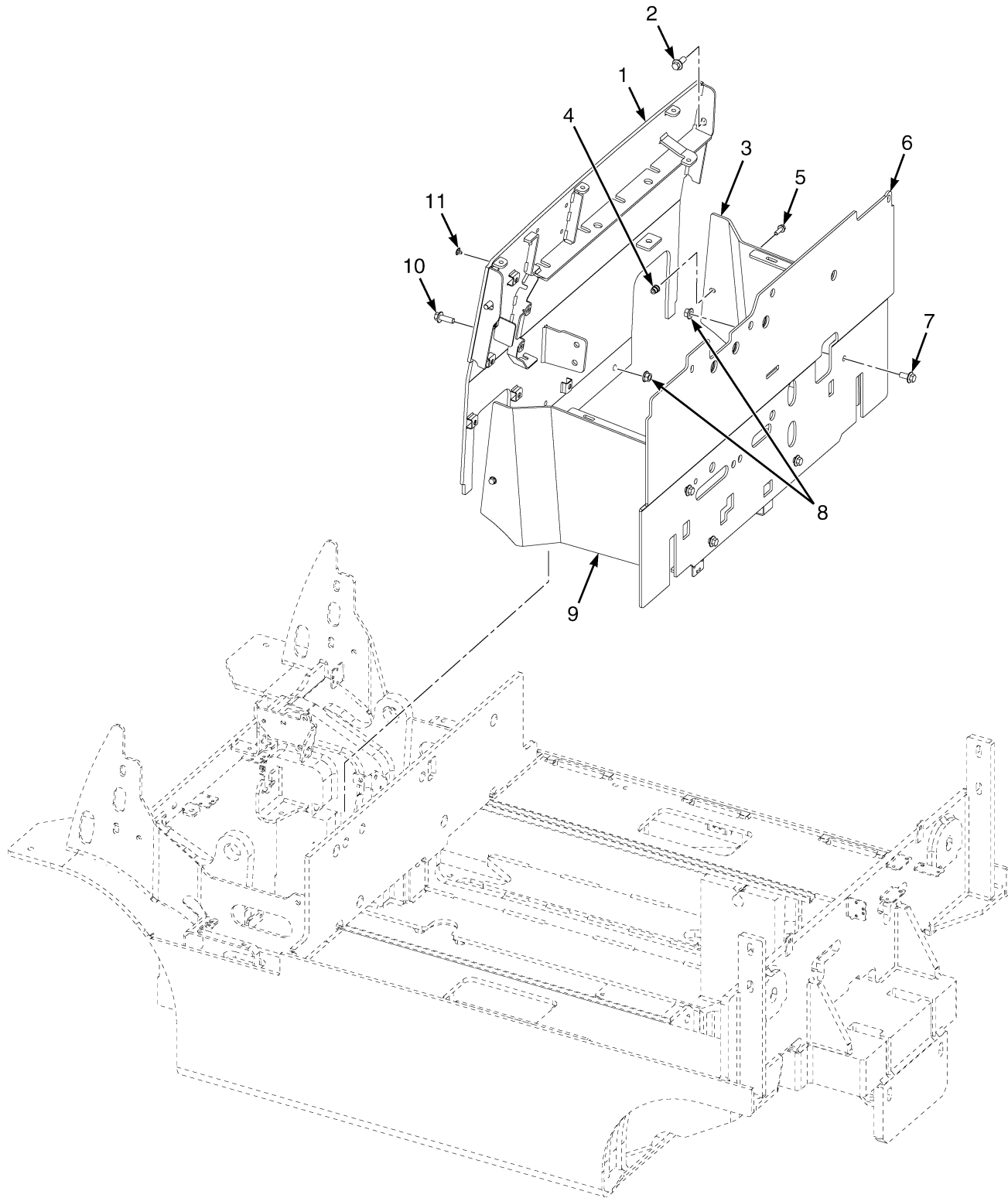
1

FRAME

SECTION 1
FRAME

DESCRIPTION	PAGE
ARMREST SLIDER ASSEMBLY	1-34
BATTERY COMPARTMENT AND COVERS	
HORIZONTAL BATTERY REMOVAL (→ 4/2013)	1-36
HORIZONTAL BATTERY REMOVAL (4/2013 →)	1-40
VERTICAL BATTERY REMOVAL - E80-120XN (→ 4/2013)	1-44
VERTICAL BATTERY REMOVAL - E100-120XN (4/2013 →)	1-46
VERTICAL BATTERY REMOVAL - E80-E100XNS WITH STANDARD OVERHEAD GUARD	1-48
VERTICAL BATTERY REMOVAL - E80-E100XNS WITH FLAT OVERHEAD GUARD (→ 4/2013)	1-50
VERTICAL BATTERY REMOVAL - E80-E100XNS WITH FLAT OVERHEAD GUARD (4/2013 →)	1-52
COUNTERWEIGHT	1-4
COUNTERWEIGHT COVER	
WITH RAPID CHARGE OPTION	1-5
DASH AND STEERING COLUMN COVERS	
FIXED COLUMN	1-54
TELESCOPIC COLUMN	1-56
DRIP SHIELD AND STATIC STRAP	1-13
FENDERS	1-12
FLOORPLATES AND STEPS	1-10
FORKS	
OPTIONAL LATCH	1-61
POLISHED FORK WITH FULL BOTTOM TAPER - CLASS III AND CLASS IV	1-60
POLISHED FULL BOTTOM TAPER OPTIONAL - CLASS III AND CLASS IV	1-64
STANDARD TAPER CLASS III AND CLASS IV	1-58
FORKS WITH LEVER	
STANDARD TAPER OPTIONAL - CLASS III AND CLASS IV	1-62
FULL SUSPENSION SEAT	
MANUAL AND ELECTRO-HYDRAULIC — SWIVEL AND NON SWIVEL - SHEET 1 OF 4	1-26
RECLINER AND DAMPER KITS - SHEET 2 OF 4	1-28
SERVICE KITS FOR NON SWIVEL AND SWIVEL - SHEET 3 OF 4	1-30
HOOD	
WITH FLAT OVERHEAD GUARD - AND SHORT WHEEL BASE (E80-100XNS)	1-18
WITH FLAT OVERHEAD GUARD - AND LONG WHEEL BASE (E100-120XN)	1-20
WITH STANDARD OVERHEAD GUARD - AND SHORT WHEEL BASE (E80-100XNS)	1-14
WITH STANDARD OVERHEAD GUARD - AND LONG WHEEL BASE (E100-120XN)	1-16
LOAD BACKREST EXTENSION	1-66
NAMEPLATES AND LABELS	
HYDRAULIC CONTROL FUNCTIONS	1-72
SHEET 1 OF 2	1-68
SHEET 2 OF 2	1-70
OPERATOR MODULE	1-2
OVERHEAD GUARD	
FLAT	1-8
STANDARD	1-6
SEAT ATTACHING PARTS	
NOT INCLUDED WITH SEAT - SHEET 4 OF 4	1-32
SEATS	
NON SUSPENSION - WITH HIP RESTRAINTS	1-22
NON SUSPENSION - LOW PROFILE WITH HIP RESTRAINTS	1-24

OPERATOR MODULE (FIGURE 1-1)



BP120941

OPERATOR MODULE

ITEM	PART NO.	DESCRIPTION	QTY
1	4040909	Cowl	1
2	1528889	Capscrew	2
3	4040030	Side Plate Wldmt (RH)	1
4	1530243	Insert	6
5	1698633	Capscrew	6
6	4040388	Bulkhead Weldment	1
7	1690977	Bolt	4
8	1528888	Nut (Shoulder)	6
9	4040021	Side Plate Wldmt (LH)	1
10	1527888	Capscrew	2
11	1698799	Plug (Yellow) (0.26 in)	2